



// **FEATURES**

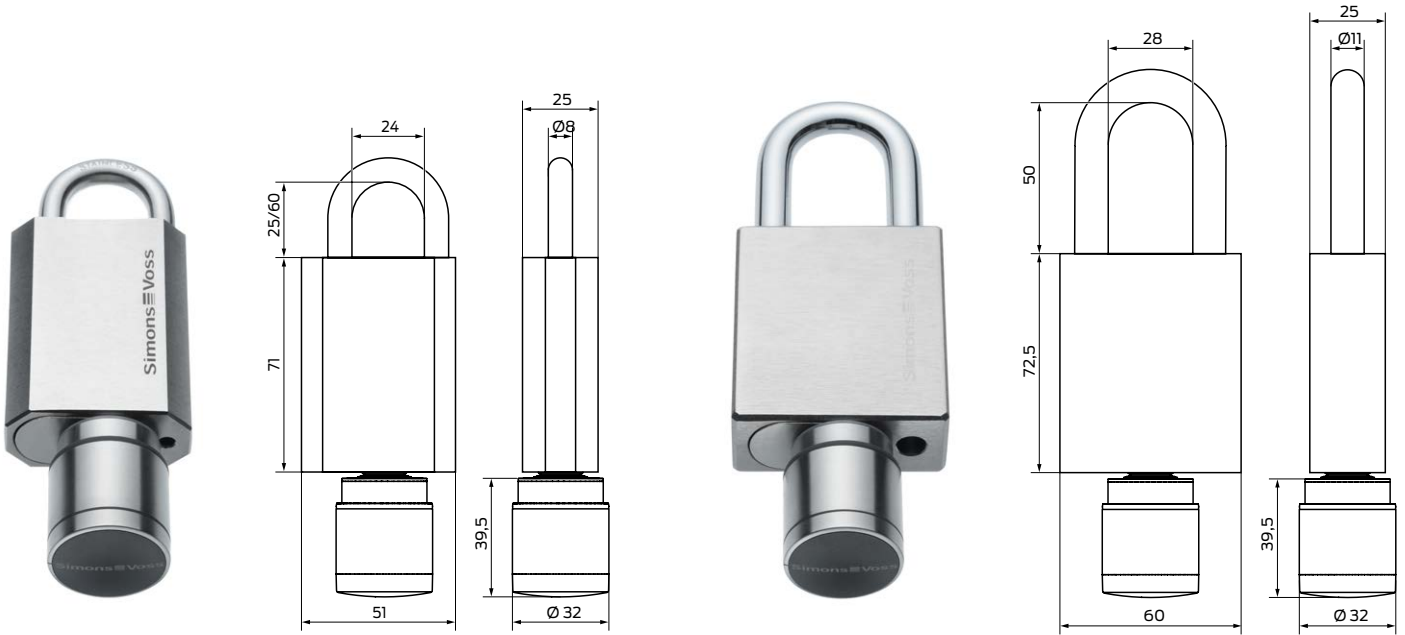
- ❖ Optimum data security: The SecureElement stores the encrypted system data and forms part of the new AX security architecture. This special chip is an integral part of authentication and cannot be read from the outside.
- ❖ Drilling protection protects the actuator electronics and the cylinder profile.
- ❖ Hardened lock body and shackle, protection class 4 as per EN 12320 (11 mm version).
- ❖ All reader variants, whether active, passive or hybrid, can be integrated at any time and are supported by Bluetooth Low Energy (BLE) technology.
- ❖ Extremely long battery life with up to 12 years on stand-by.
- ❖ Future-proof investment forms part of the SimonsVoss promise. The Cylinder AX can be integrated into an existing system (backwards compatible with existing components).
- ❖ Room for beauty: the Cylinder AX not only impresses with its appearance, but also thanks to its pleasant touch with ergonomic thumb-turns.
- ❖ Greater ease of use thanks to visual and audible feedback signals.
- ❖ German-made. A given for us.

// **TECHNICAL DATA**

Dimensions of base body without thumb-turn/shackle	70 × 51 × 25 mm (8 mm shackle) or 72.5 × 60 × 25 mm (11 mm shackle)	Battery life	Up to 12 years on standby or 100,000 activations
Shackle diameter	8 mm/11 mm	Temperature range	Operation: -25 °C to +65 °C
Inside height of shackle	25/60 mm (8 mm shackle) or 50 mm (11 mm shackle)	Protection rating	IP67 (.WP option)
Thumb-turns	Reader thumb-turn	Signalling	Audible (buzzer) and/or visual (LED – green/red)
	<ul style="list-style-type: none"> <li>❖ Active cylinder stainless steel ring cap; accessories: Stainless steel thumb-turn cover</li> <li>❖ Passive/hybrid cylinder: Plastic cover, black</li> </ul> Diameter: 32 mm; length: 39.5 mm	Access events storable offline (.ZK option)	up to 3,000
Reader systems	<ul style="list-style-type: none"> <li>❖ Active transponder technology, 25 kHz</li> <li>❖ Passive (MIFARE® Classic and DESFire®)</li> <li>❖ Hybrid (active and passive)</li> <li>❖ Bluetooth Low Energy (BLE)</li> </ul>	Time zone groups	100+1
Operation types	Offline, virtual network and online (can be combined)	Number of media per cylinder	Up to 64,000
Battery type	CR 2450, 3 V lithium	Number of cylinders that can be managed per transponder	304,000
	Quantity: 2 x (standard)	Wireless network 868 MHz	Network-ready with integrated LockNode (can be retrofit)
		Can be upgraded	Firmware upgradable via BLE
		Certificates	Class 3 (shackle diameter 8 mm) or Class 4 (shackle diameter 11 mm) as per EN 12320 (lock body)

// DIMENSIONS (SHACKLE DIAMETER 8 MM)

// DIMENSIONS (SHACKLE DIAMETER 11 MM)



// PRODUCT VERSIONS

**DIGITAL PADLOCKS – SHACKLE DIAMETER OF 8 MM**

<b>Digital Padlock AX;</b> shackle diameter: 8 mm; inside height of shackle: 25 mm; manual locking; integrated drilling protection; can be operated with SimonsVoss transponders	SV-Z5.PL.08.25.ML.A.G2.WP
<b>Digital Padlock AX;</b> shackle diameter: 8 mm; inside height of shackle: 25 mm; self-locking; integrated drilling protection; can be operated with SimonsVoss transponders	SV-Z5.PL.08.25.SL.A.G2.WP
<b>Digital Padlock AX;</b> shackle diameter: 8 mm; inside height of shackle: 60 mm; manual locking; integrated drilling protection; can be operated with SimonsVoss transponders	SV-Z5.PL.08.60.ML.A.G2.WP
<b>Digital Padlock AX;</b> shackle diameter: 8 mm; inside height of shackle: 60 mm; self-locking; integrated drilling protection; can be operated with SimonsVoss transponders	SV-Z5.PL.08.60.SL.A.G2.WP

**DIGITAL PADLOCKS – SHACKLE DIAMETER OF 11 MM**

<b>Digital Padlock AX;</b> shackle diameter: 11 mm; inside height of shackle: 50 mm; manual locking; integrated drilling protection; can be operated with SimonsVoss transponders	SV-Z5.PL.11.50.ML.A.G2.WP
<b>Digital Padlock AX;</b> shackle diameter: 11 mm; inside height of shackle: 50 mm; self-locking; integrated drilling protection; can be operated with SimonsVoss transponders	SV-Z5.PL.11.50.SL.A.G2.WP

**OPTIONS**

Version with access control, time zone control and event logging	.ZK
Version with integrated network board for networking	.LN



**OPTIONAL READER SYSTEMS:**

• Passive (MIFARE® Classic and DESFire®)	.M.G2
• Hybrid (active and passive)	.AM.G2

See price list for further variants, options and accessories.

Measurements indicated in mm